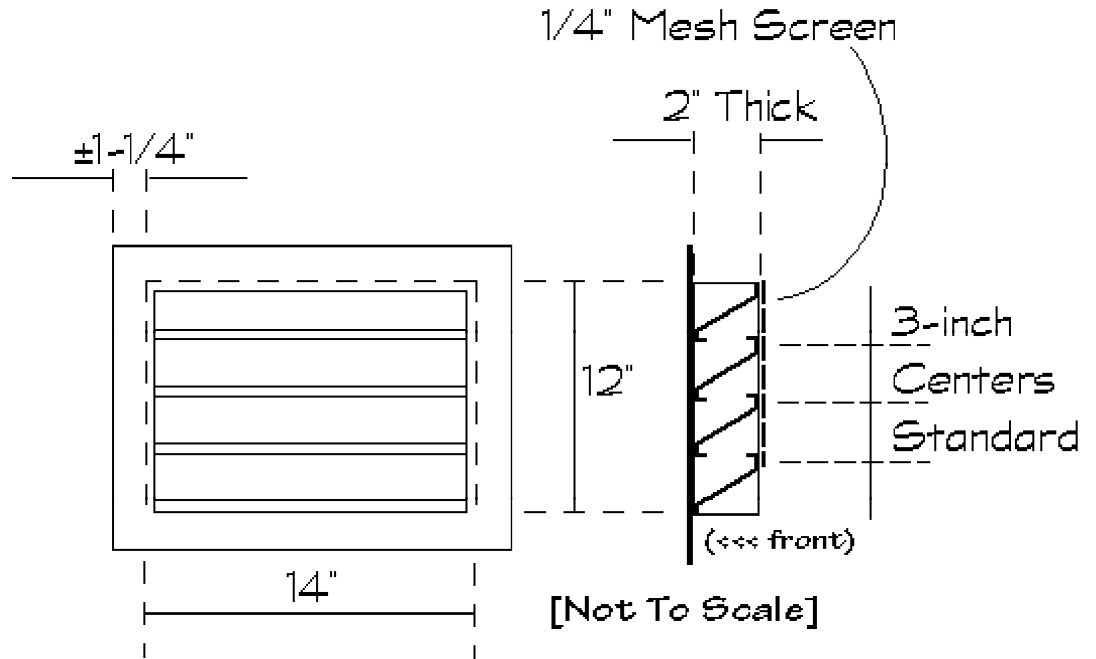


A NEW LINE OF QUALITY PRODUCTS

Deliver to: 12900 Hickman Street • Waterford • California 95386
 Mail to: P. O. Box 130 • Waterford • CA 95386
 E-Mail to: sales@plycovents.com Visit us at <http://www.plycovents.com>

(209)874-2302
 FAX: (209)874-1884
 TOLL FREE: (800)223-6067

TYPICAL WOOD TRIM GABLE VENT



WOOD TRIM LOUVERED VENT (WD Series) High Quality RECTANGULAR Vents are of Galvanized steel construction. The 2" thick louver mounts flush on the wall, with Flange on the FRONT and extends into the wall. These vents have a 24-Gauge frame with mitered corners to finish off an unfinished hole in the wall. PLYCO Vents are designed for maximum air flow and come with a 1/4" mesh screen on the back (1/8" Optional). Return angle on the 3" louver blade prevents leakage.

Gable End Vents(Standard)©PLYCO Mfg.

for **WOOD Trim (WD Series) WALL (2" Thick Wood Siding):**

26 Ga. G-90 Galv. Steel† with 1/4" Screen

Part Nr.	Rough Opening	Style	Free Area*	#/bx	wt.
1409WD	14 x 9"	WOOD	68 sq. in.	12	32
1412WD	14 x 12"	WOOD	96 sq. in.	12	35
1418WD	14 x 18"	WOOD	152 sq. in.	12	40
1424WD	14 x 24"	WOOD	218 sq. in.	12	60
1436WD	14 x 36"	WOOD	252 sq. in.	12	75

(Note: †Also Available in COPPER, Aluminum, Bonderized Steel. Vents can be Powder Coated)

*Approximate
 1/8" Mesh Avail.