

A NEW LINE OF QUALITY PRODUCTS

Deliver to: 12900 Hickman Street • Waterford • California 95386

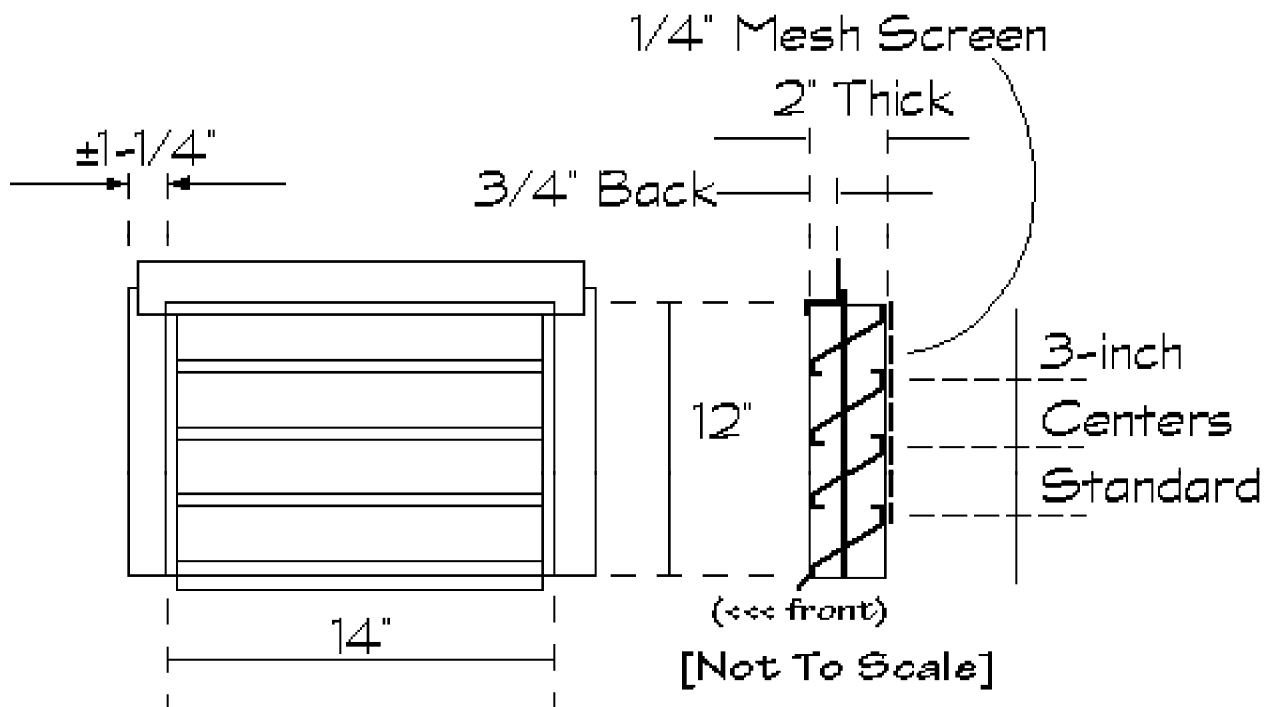
(209)874-2302

Mail to: P. O. Box 130 • Waterford • CA 95386

FAX: (209)874-1884

E-Mail to: sales@plycovents.com Visit us at <http://www.plycovents.com> TOLL FREE: (800)223-6067

TYPICAL STUCCO GABLE VENT



STUCCO LOUVERED VENT (ST Series) High Quality RECTANGULAR Vents are of Galvanized steel construction. This 2" thick louver mounts on the wall, with a 3/4" STUCCO GROUND. ST-series vents also can be used in WOOD TRIM applications by finishing with '1-by' (3/4" material. PLYCO Vents are designed for maximum air flow and come with a 1/4" mesh screen on the back (1/8" Optional). Return angle on the 3" louver blade prevents leakage.

Gable End Vents(Standard)©PLYCO Mfg.

for **STUCCO (ST Series) WALL** (2" Thick 3/4" Stucco Ground):
26 Ga. G-90 Galv. Steel† with 1/4" Screen

Part Nr.	Rough Opening	Style	Free Area*	#/bx	wt.
1409ST	14 x 9"	STUCCO	68 sq. in.	12	32
1412ST	14 x 12"	STUCCO	96 sq. in.	12	35
1418ST	14 x 18"	STUCCO	152 sq. in.	12	40
1424ST	14 x 24"	STUCCO	218 sq. in.	12	60
1436ST	14 x 36"	STUCCO	252 sq. in.	12	75

(Note: †Also Available in COPPER, Aluminum, Bonderized Steel. Vents can be Powder Coated)

*Approximate
1/8" Mesh Avail.