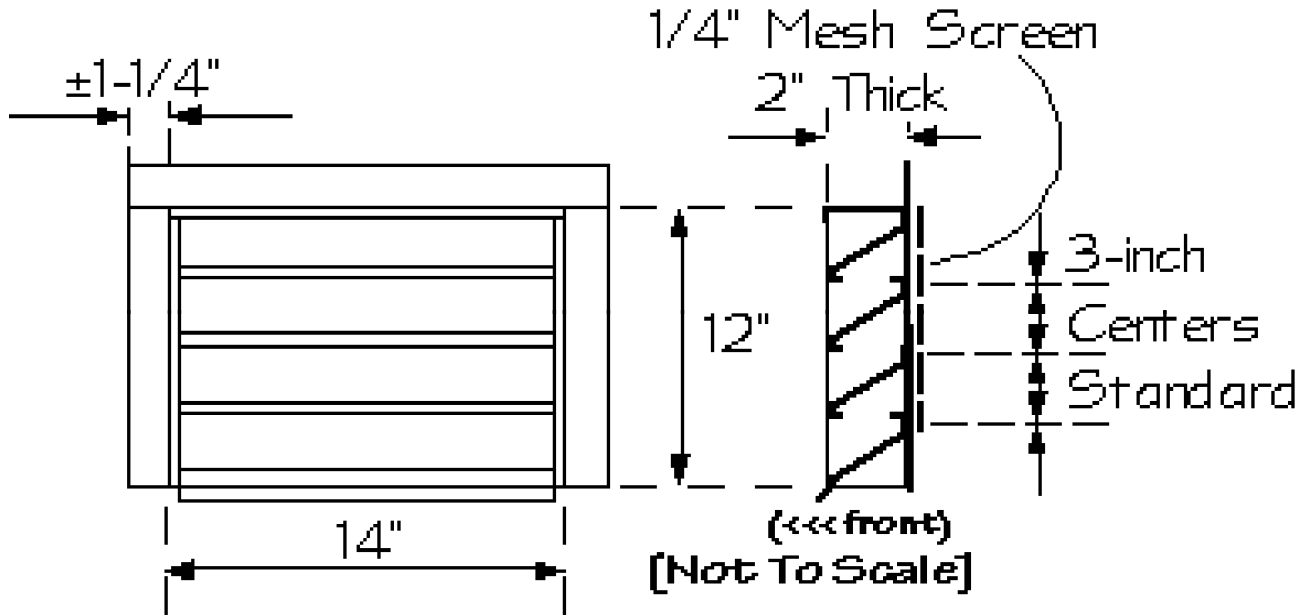


A NEW LINE OF QUALITY PRODUCTS

Deliver to: 12900 Hickman Street • Waterford • California 95386
 Mail to: P. O. Box 130 • Waterford • CA 95386
 E-Mail to: sales@plycovents.com Visit us at <http://www.plycovents.com>

(209)874-2302
 FAX: (209)874-1884
 TOLL FREE: (800)223-6067

TYPICAL FLANGE ON BACK GABLE VENT



FLANGE ON BACK (FOB) LOUVERED VENT (FB Series) High Quality RECTANGULAR Vents are of high quality G-90 Galvanized steel construction. This 2" thick louver mounts flush on the wall studs and extends off of it, through the wall. PLYCO Vents are designed for maximum air flow and come with a 1/4" mesh screen on the back (1/8" Optional). Return angle on the 3" louver blade prevents leakage. Flange on Back louvers are designed to cover the odd-sized hole.

Gable End Vents (standard)® PLYCO Mfg.

for **FLANGE ON BACK (FB Series) WALL (2" Thick FOB):**

26 Ga. G-90 Galv. Steel† with 1/4" Screen

Part Nr.	Rough Opening	Style	Free Area*	#/bx	wt.
1409FB	14 x 9"	F O B	68 sq. in.	12	18
1412FB	14 x 12"	F O B	96 sq. in.	12	27
1418FB	14 x 18"	F O B	152 sq. in.	12	34
1424FB	14 x 24"	F O B	218 sq. in.	12	43
1436FB	14 x 36"	F O B	252 sq. in.	12	75

(Note: †Also Available in COPPER, Aluminum, Bonderized Steel. Vents can be Powder Coated)

*Approximate
 1/8" Mesh Avail.