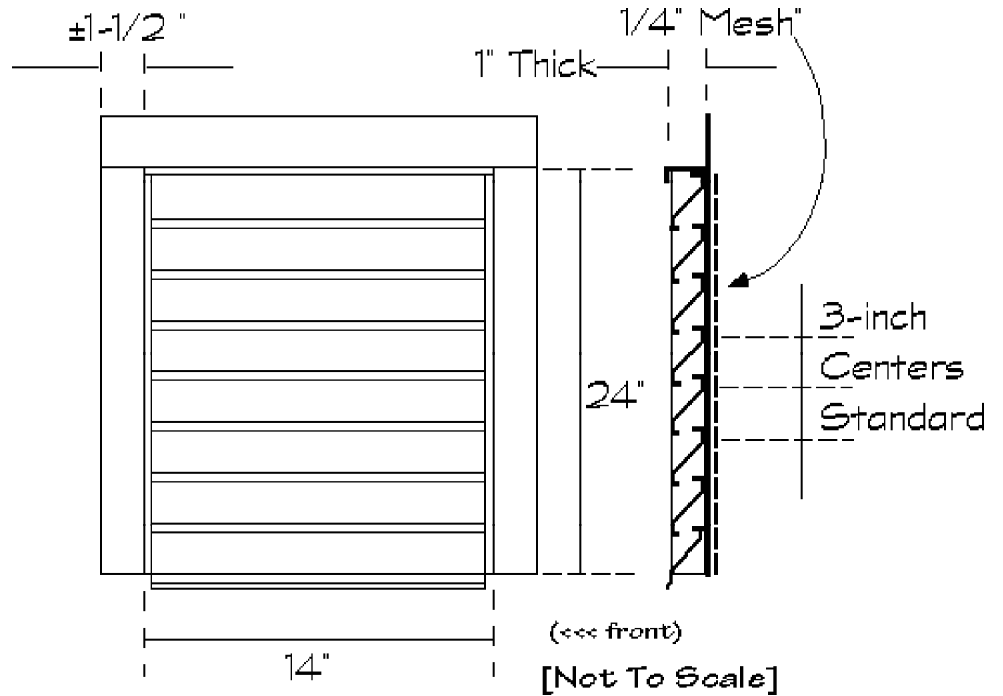


A NEW LINE OF QUALITY PRODUCTS

Deliver to: 12900 Hickman Street • Waterford • California 95386  
 Mail to: P. O. Box 130 • Waterford • CA 95386  
 E-Mail to: sales@plycovents.com Visit us at <http://www.plycovents.com>

(209)874-2302  
 FAX: (209)874-1884  
 TOLL FREE: (800)223-6067

TYPICAL 1" FLANGE ON BACK GABLE VENT



1" FLANGE ON BACK (FB-1) LOUVERED VENT (FB-1 Series) High Quality RECTANGULAR Vents are of quality G-90 Galvanized steel construction. Similar in construction, this 1" thick louver mounts flush on the wall studs and extends off of it, through the wall. PLYCO Vents are designed for maximum air flow and come with a 1/4" mesh screen on the back (1/8" Optional). Return angle on the 3" louver blade prevents leakage. Flange on Back louvers are designed to cover the odd-sized hole. The FB-1 is typically used with 1/2" Foam (Blue Board) and 1/2" Stucco application.

**Gable End Vents(Standard)©PLYCO Mfg.**

for 1" FLANGE ON BACK (FB-1 series) WALL (1" thick FOB):  
 26 Ga. G-90 Galv. Steel† with 1/4" Screen

Part Nr.	Rough Opening	Style	Free Area*	#/bx	wt.
1409FB-1	14 x 9"	1" F O B	58 sq. in.	12	32
1412FB-1	14 x 12"	1" F O B	81 sq. in.	12	35
1418FB-1	14 x 18"	1" F O B	129 sq. in.	12	40
1424FB-1	14 x 24"	1" F O B	185 sq. in.	12	60
1436FB-1	14 x 36"	1" F O B	233 sq. in.	12	75

(Note: †Also Available in COPPER, Aluminum, Bonderized Steel. Vents can be Powder Coated)

\*Approximate  
 1/8" Mesh Avail.